

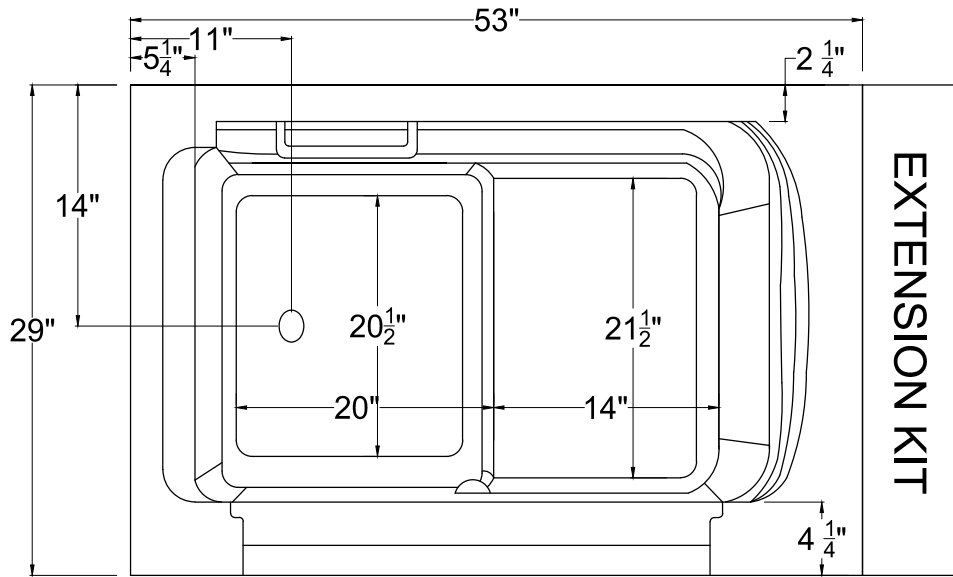


**HOYER LIFT
ACCESS**

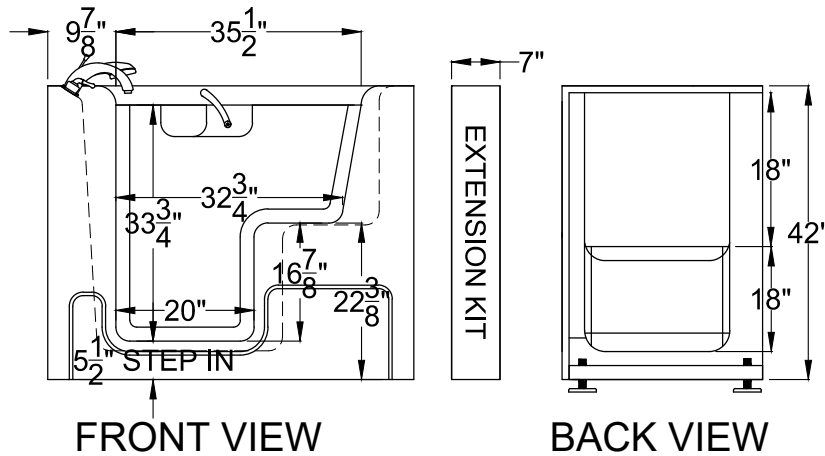
2953WCA

WHEELCHAIR-ACCESSIBLE • 7" EXTENSION PANEL • TILE FLANGE INCLUDED

Meditub's 29x53WCA Slide-In Tub is constructed of the highest grade fiberglass composites with a triple gel coat finish for beauty and durability. The 29x53 WCA Slide-In Tub is perfect for new construction and retro fitting because of its industry standard size. It comes with a stainless steel frame for long lasting strength and adjustable feet for easy installation and leveling.




TOP VIEW




FRONT VIEW


BACK VIEW

UNIT COLORS:

 white

TRIM COLORS:




 chrome

 color-matched



OPTIONS:

- soaker
- air therapy
- hydro therapy
- dual therapy

ACCESSORIES:

-  chromatherapy
-  aromatherapy
-  autodrain

DOOR / DRAIN SIDE OPTIONS:

-  left
-  right

Available Colors.....	White	Air System Available	Yes
Material	Gelcoat	Hydro System Available	Yes
Door Swing	Outward	Dual System Available	Yes
Extension Kit.....	7"	Non Slip Floor	Yes
Dimensions.....	29(W)x53(L)x42(H)	Faucet Deck	Yes
Seat	Yes	Capacity	75Gal
Seat Height	18"	Unit Weight	260Lbs
Seat Contoured.....	Yes	Approx Shipping Weight.....	280Lbs